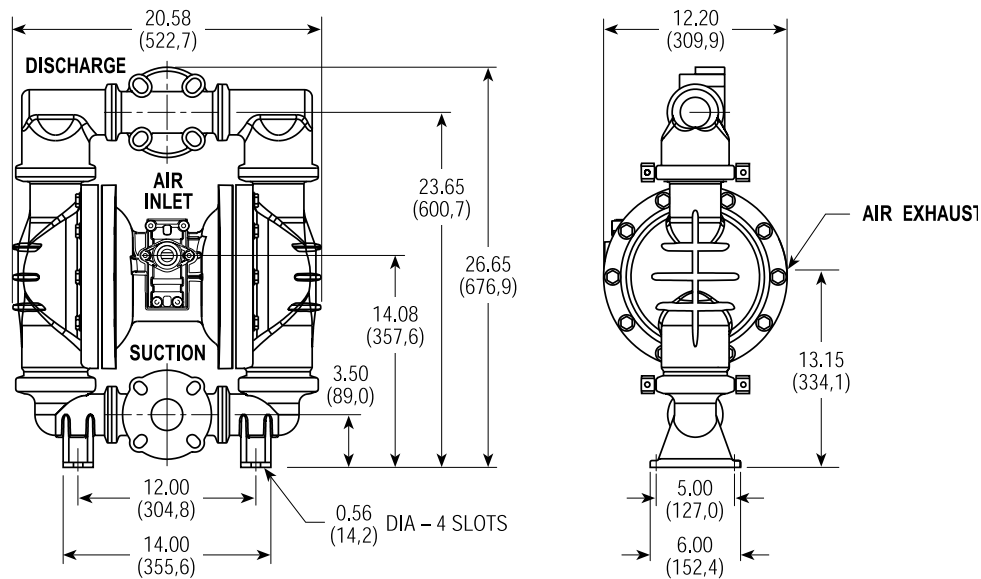


Dimensions

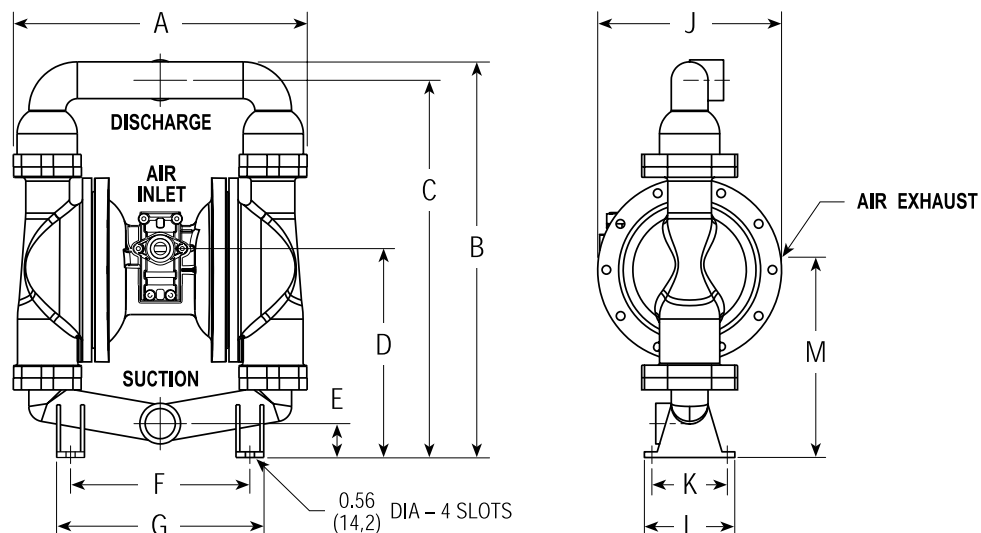
AD Series - 50mm Range

Plastic



Dimensions in inches and (mm)

Metallic



Model Size (Inlet/outlet)	Dimensions (mm)										
	A	B	C	D	E	F	G	J	K	L	M
50mm Aluminium (BSP)	495	667	636	352	57.1	225.5	304.8	309.9	127	152.4	327.6
50mm Stainless Steel (BSP)	495	625.3	584.2	382.3	89	304.8	351.5	309.9	127	152.4	358.1
Metal Flange Optional (50mm)	495	625.3	549.2	336.6	89	304.8	351.5	301.8	127	152.4	324