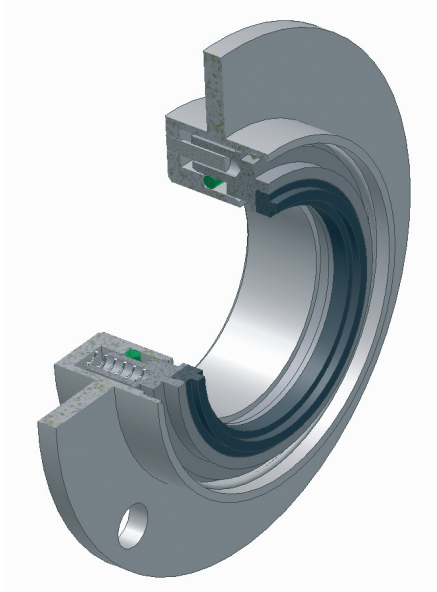
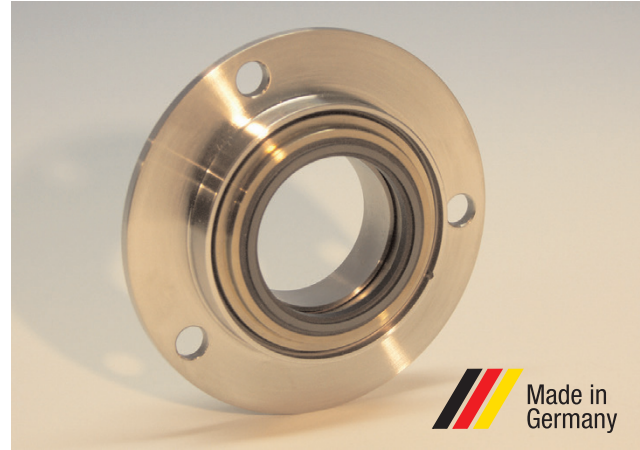


Gearbox compact seal suitable for Sundyne Pumps



The medium lubricated gearbox mechanical seal **type KPX** is specially designed for the application in Sundyne high speed centrifugal pumps.

Identical dimensions with the original seals allow easy installation and interchangeability*.

Due to special design features the **KPX** seal can operate under reverse pressure thus providing maximum operating safety. Contamination and subsequent gearbox failure following a product entry due to a pump side mechanical seal collapse is excluded.

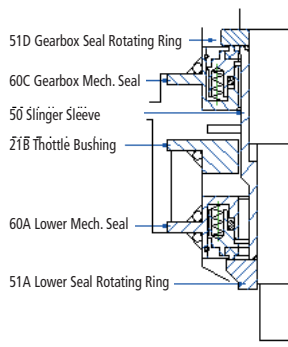
Design features

- Multi springs
- Bi-directional
- Reverse pressure capable

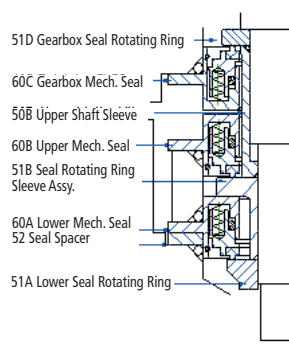
Seal designation:

KPX-381, gearbox compact seal (Pos. 60C)

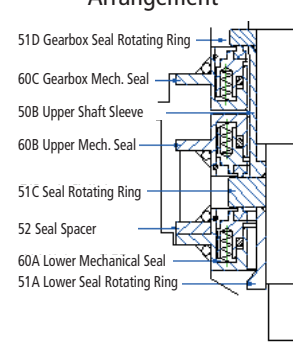
Single Seal Arrangement



Tandem Seal Arrangement



Double Seal (Face to Face) Arrangement



Operation limits

Pressure:	max. 20barg
Temperature:	-50°C to + 180°C
Speed:	max. 22.000 rpm

Standard materials

Seal face:	carbon antimony impr. in stainless steel body
Secondary seal:	Viton
Springs:	stainless steel
Seal retainer:	stainless steel

further materials on request

* Due to its design **sammler cs** seal repair kits consisting of the stationary seal ring, the springs, the back up ring and the secondary seal fit in the original Sundyne mechanical seal retainer