

High Speed Shaft Assemblies suitable for Sunflo Pump Type P-2000



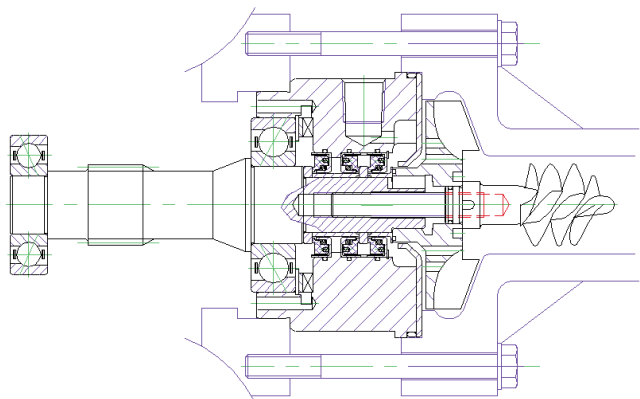
Complete high speed shaft assemblies from **sammler cs** suitable for Sunflo Pump type P-2000 allow a quick and easy exchange of defective units.

Downtime of the pump is reduced to a minimum. All components meet the highest material and quality standards and are fully compatible with the original pump parts. Upon returning the failed high speed shaft assembly to **sammler cs** the customer gets a discount on the the price of the new supplied unit.

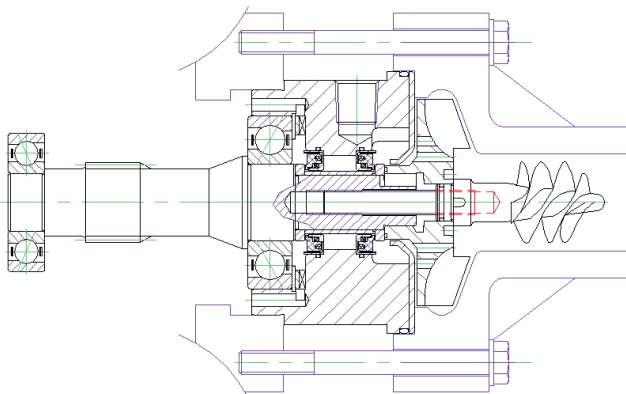
High speed shaft assemblies are available for 10.360, 12.263 and 14.227* rpm.

*further pump speeds on request

All components such as impellers, inducers, high speed shafts, seal housings, ball bearings, shaft sleeves, rotating seal rings, mechanical seals etc. are also available separately.



Double Seal Arrangement



Single Seal Arrangement

Standard materials of construction

Seal housing, impeller, inducer, shaft sleeves, seal retainer etc.:	stainless steel
High speed shaft:	alloy steel
O-rings:	Viton, EP-rubber, Teflon

* further materials on request