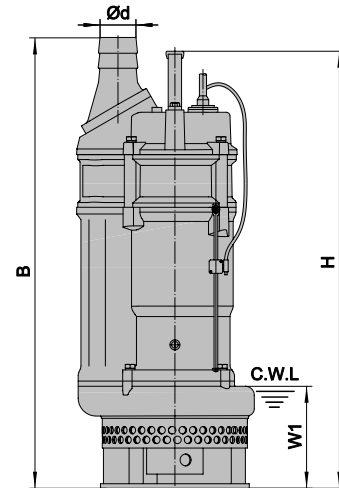
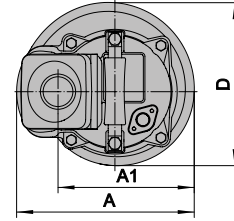
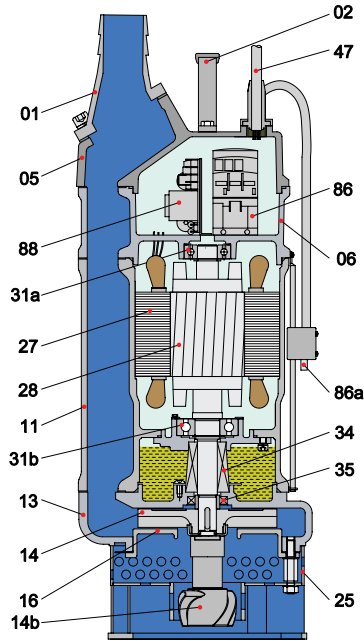


Dimensions

SDAE Series



C.W.L.:Continuous running water level

Item No.	Part Name	Material	Item No.	Part Name	Material
01	Hose Coupling	Cast Iron	28	Rotor	Shaft: AISI420SS
02	Handle	Rubber & Steel	31a	Bearing	Ball Bearing
05	Upper cover	Cast Iron	31b	Bearing	Ball Bearing
06	Upper Support	Cast Iron	34	Mechanical Seal	Sic-Sic/Carbon-Sic(≤2.2kW)
11	Motor Body	Cast Iron			Sic-Sic/Sic-Sic(3.7kW)
13	Pump Body	Cast Iron	35	Oil Seal	
14a	Impeller	High Chrome Alloy	47	Cable	
14b	Agitator	High Chrome Alloy	86	AC Contactor	
16	Inlet Plate	Ductile Iron	86a	Water Level Sensor	
25	Strainer	Steel	88	Controller Block	
27	Stator				

Model (50/60Hz)	d	A	A1	B	D	H	W1	N.W	G.W	Packing Dimension mm
	mm	mm	mm	mm	mm	mm	mm	Kg	Kg	
SDAE-50-52-1.5T2-O	50	235	173	629	216	594	135	43	47	695x265x275
SDAE-80-52-1.5T2-O	80	235	173	636	216	594	135	43	47	695x265x275
SDAE-50-52-2.2T2-O	50	235	173	629	216	594	135	46	50	695x265x275
SDAE-80-52-2.2T2-O	80	235	173	636	216	594	135	46	50	695x265x275
SDAE-80-52-3.7T2-O	80	283	208	714	252	720	165	72	77	805x320x295
SDAE-100-52-3.7T2-O	100	283	208	739	252	720	165	73	78	805x320x295
SDAE-80-52-5.5T2-O	80	329	240	784	300	684	165	86	93	825x355x335
SDAE-100-52-5.5T2-O	100	329	240	809	300	684	165	87	94	865x355x335

AQUA00005

Exclusively Distributed by