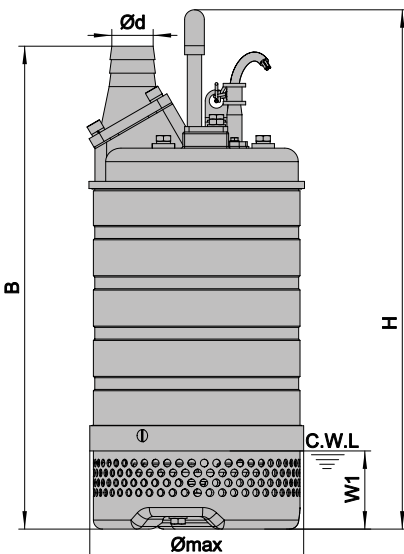
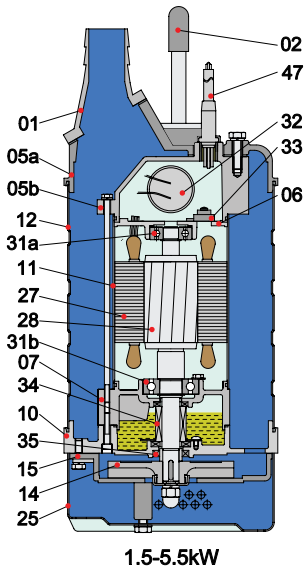
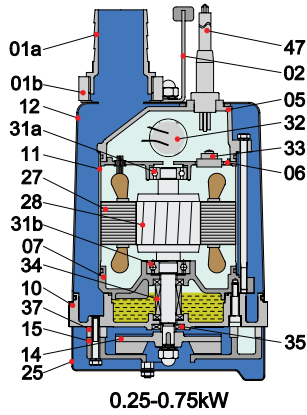


Dimensions

SDSS Series



W1: Continuous running water level

| Item No. | Part Name | Material |
|----------|------------------|----------------------------|
| 01a | Hose Coupling | ABS |
| 01b | Hose Coupling | PA66 |
| 02 | Handle | Rubber & AISI304SS |
| 05 | Upper cover | AISI304SS |
| 06 | Up-Bearing House | Aluminum Die Casting |
| 07 | Bering House | AISI304SS |
| 10 | Seal House | AISI304SS |
| 11 | Motor Casing | AISI304SS |
| 12 | Outer Casing | AISI304SS |
| 14 | Impeller | AISI304SS |
| 15 | Diffuser | AISI304SS |
| 25 | Strainer | AISI304SS |
| 27 | Stator | |
| 28 | Rotor | Shaft: AISI304SS |
| 31a | Bearing | Ball Bearing |
| 31b | Bearing | Ball Bearing |
| 32 | Capacitor | |
| 33 | Motor Protector | |
| 34 | Mechanical Seal | Ceramic-Sic/Carbon Ceremic |
| 35 | Oil Seal | |
| 37 | Gasket | NBR |
| 47 | Cable | H07RN-F |

| Item No. | Part Name | Material |
|----------|------------------|----------------------------|
| 01 | Hose Coupling | AISI304SS |
| 02 | Handle | Rubber & Steel |
| 05a | Upper Cover | AISI304SS |
| 05b | Upper Cover | AISI304SS |
| 06 | Up-Bearing House | AISI304SS |
| 07 | Bering House | AISI304SS |
| 10 | Seal Bracket | AISI304SS |
| 11 | Motor Casing | Stainless Steel |
| 12 | Outer Casing | AISI304SS |
| 14 | Impeller | AISI304SS |
| 15 | Diffuser | AISI304SS |
| 25 | Strainer | AISI304SS |
| 27 | Stator | |
| 28 | Rotor | Shaft: AISI420SS |
| 31a | Bearing | Ball Bearing |
| 31b | Bearing | Ball Bearing |
| 32 | Capacitor | (Single Phase Only) |
| 33 | Motor Protector | |
| 34 | Mechanical Seal | Sic-Sic/Carbon-Sic(≤2.2kW) |
| | | Sic-Sic/Sic-Sic(3.7-5.5kW) |
| 35 | Oil Seal | |
| 47 | Cable | H07RN-F |

| Model | H | B | Ømax | W1 | Model | H | B | Ømax | W1 |
|-----------------------|-----|-----|------|----|------------------------|-----|-----|------|-----|
| SDSS-50-32-.25M2-O | 345 | 342 | 184 | 50 | SDSS-100-32-3.7T2-O | 515 | 616 | 300 | 76 |
| SDSS-50-32-.4M2-O | 345 | 342 | 184 | 50 | SDSS-80-32-5.5T2-O | 555 | 631 | 300 | 76 |
| SDSS-50-32-.75M2-O | 365 | 362 | 184 | 50 | SDSS-100-32-5.5T2-O | 555 | 656 | 300 | 76 |
| SDSS-50-32-1.5T2-O | 563 | 540 | 240 | 87 | SDSS-50-32-3.7T2-AP-O | 565 | 641 | 300 | 76 |
| SDSS-80-32-1.5T2-O | 563 | 547 | 240 | 87 | SDSS-80-32-3.7T2-AP-O | 565 | 641 | 300 | 76 |
| SDSS-50-32-2.2T2-O | 563 | 540 | 240 | 87 | SDSS-100-32-3.7T2-AP-O | 565 | 666 | 300 | 76 |
| SDSS-80-32-2.2T2-O | 563 | 547 | 240 | 87 | SDSS-80-32-5.5T2-AP-O | 605 | 681 | 300 | 76 |
| SDSS-50-32-1.5T2-AP-O | 613 | 590 | 240 | 87 | SDSS-100-32-5.5T2-APO | 605 | 706 | 300 | 76 |
| SDSS-80-32-1.5T2-AP-O | 613 | 597 | 240 | 87 | SDSS-100-32-7.5T2-O | 700 | 810 | 355 | 142 |
| SDSS-50-32-2.2T2-AP-O | 613 | 590 | 240 | 87 | SDSS-150-32-7.5T2-O | 700 | 810 | 355 | 142 |
| SDSS-80-32-2.2T2-AP-O | 613 | 597 | 240 | 87 | SDSS-100-32-11T2-O | 745 | 855 | 355 | 142 |
| SDSS-50-32-3.7T2-O | 515 | 591 | 300 | 76 | SDSS-150-32-11T2-O | 745 | 855 | 355 | 142 |
| SDSS-80-32-3.7T2-O | 515 | 591 | 300 | 76 | | | | | |

B: The height from pump's bottom to outlet
H: Th height from pump's bottom to handle top

AQUA0009