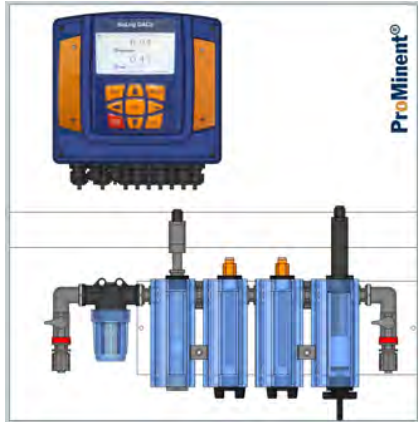


## 6.4 Pool Packages diaLog pH/Cl<sub>2</sub>

### GOLD Systems special for Salt Chlorinator



#### diaLog550G pH/ORP/CAA POOL CONTROL SYSTEM

Part No.	Description	
DACBW006VA4000010010EN	DULCOMETER diaLog Controller	1
A250D3402	Backboard 600 x 600 x 12 LDPE white	1
DGMA321T000	Probe holder & flow switch assembly	1
324T0235	Filter	1
A27023280	Adaptor 3/8" pipe to 1/4" BSPF	2
721-101-105	90 deg 3/8" PVC elbow	2
A27023399	Adaptor 3/8" spigot to 1/2" BSPM	1
A27023324	Adaptor 1/4" BSPM to 1/2" BSPM	1
A27023400	Adaptor 1/4" BSPM to 3/8" Spigot	1
1024105	Coax cable	2
A04001289	2 core grey cable	2
PromLabel150	ProMinent label	1
A52003305	Buffer pH 7	1
A52003308	Buffer pH4	1
PA07221061	Adaptor PVC 8x5 to 1/2" BSPM	1
A25251004	Tubing Black LDPE 8x5	1
	Duct white 60 x 40 x 600	1
	Sundry mounting bolts & screws	1
SP100-4330-DH	pH electrode	1
1003875	RHEP-Au-SE pH electrode	1
CAA2690-10	Conductivity sensor 10,000 µS	1



#### diaLog650G pH/ORP/CAA/CO<sub>2</sub> POOL CONTROL SYSTEM

Part No.	Description	
DACBW006VA4000010010EN	DULCOMETER diaLog Controller	1
A250D3402	Backboard 600 x 600 x 12 LDPE white	1
DGMA321T000	Probe holder & flow switch assembly	1
324T0235	Filter	1
A27023280	Adaptor 3/8" pipe to 1/4" BSPF	2
721-101-105	90 deg 3/8" PVC elbow	2
A27023399	Adaptor 3/8" spigot to 1/2" BSPM	1
A27023324	Adaptor 1/4" BSPM to 1/2" BSPM	1
A27023400	Adaptor 1/4" BSPM to 3/8" Spigot	1
1024105	Coax cable	2
A04001289	2 core grey cable	2
PromLabel150	ProMinent label	1
A52003305	Buffer pH 7	1
A52003308	Buffer pH4	1
PA07221061	Adaptor PVC 8x5 to 1/2" BSPM	1
A25251004	Tubing Black LDPE 8x5	1
PA31002458	CO <sub>2</sub> flow regulator assembly	1
	Duct white 60 x 40 x 600	1
	Sundry mounting bolts & screws	1
SP100-4330-DH	pH electrode	1
1003875	RHEP-Au-SE pH electrode	1
CAA2690-10	Conductivity sensor 10,000 µS	1

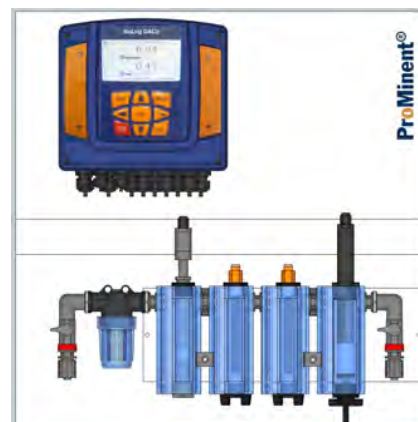


## 6.4 Pool Packages diaLog pH/Cl<sub>2</sub>

### GOLD Systems special for Salt Chlorinator

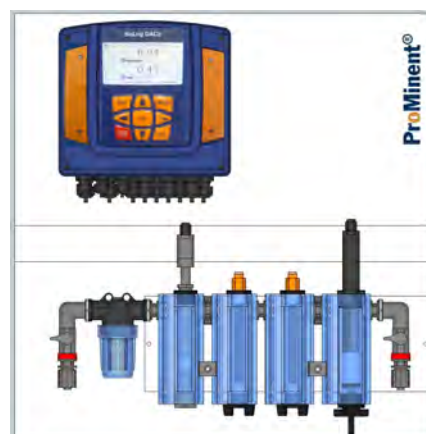
#### diaLOG700G PH/CL<sub>2</sub> POOL CONTROL SYSTEM

Part No.	Description	
DACbW006VA0000010010EN	DULCOMETER diaLog Controller	1
DGMA311T000	Probe holder & flow switch assembly	1
1024105	Probe cable	1
A04001289	cable 2 core	2
PA07221061	Adaptor PVC 1/2" to 8x5 mm	1
A25251004	PE tube 25m 8 x 5mm	1
P3240T0235-D	Filter Assembly	1
A35082644	Backboard 600 x 600 & fitting	1
A52003308	pH 7 buffer 100 ml	1
A52003310	pH 4 buffer 100 ml	1
SP100-4330-DH	pH probe	1
1047975	CGE3-mA 10ppm Sensor	1



#### diaLog710G pH/ORP /Cl<sub>2</sub> POOL CONTROL SYSTEM

Part No.	Description	
DACBW006VA4000010010EN	DULCOMETER diaLog Controller	1
A250D3402	Backboard 600 x 600 x 12 LDPE white	1
DGMA321T000	Probe holder & flow switch assembly	1
324T0235	Filter	1
A27023280	Adaptor 3/8" pipe to 1/4" BSPF	2
721-101-105	90 deg 3/8" PVC elbow	2
A27023399	Adaptor 3/8" spigot to 1/2" BSPM	1
A27023324	Adaptor 1/4" BSPM to 1/2" BSPM	1
A27023400	Adaptor 1/4" BSPM to 3/8" Spigot	1
1024105	Coax cable	2
A04001289	2 core grey cable	2
PromLabel150	ProMinent label	1
A52003305	Buffer pH 7	1
A52003308	Buffer pH4	1
PA07221061	Adaptor PVC 8x5 to 1/2" BSPM	1
A25251004	Tubing Black LDPE 8x5	1
	Duct white 60 x 40 x 600	1
	Sundry mounting bolts & screws	1
SP100-4330-DH	pH electrode	1
1003875	RHEP-Au-SE pH electrode	1
1047975	CGE3-mA 10ppm Sensor	1



## 6.4 Pool Packages diaLog pH/Cl<sub>2</sub>

### GOLD Systems special for Salt Chlorinator



#### diaLog740G pH/Cl<sub>2</sub>/CAA POOL CONTROL SYSTEM

Part No.	Description	
DACBW006VA4000010010EN	DULCOMETER diaLog Controller	1
A250D3402	Backboard 600 x 600 x 12 LDPE white	1
DGMA312T000	Probe holder & flow switch assembly	1
324T0235	Filter	1
A27023280	Adaptor 3/8" pipe to 1/4" BSPF	2
721-101-105	90 deg 3/8" PVC elbow	2
A27023399	Adaptor 3/8" spigot to 1/2" BSPM	1
A27023324	Adaptor 1/4" BSPM to 1/2" BSPM	1
A27023400	Adaptor 1/4" BSPM to 3/8" Spigot	1
1024105	Coax cable	2
A04001289	2 core grey cable	2
PromLabel150	ProMinent label	1
A52003305	Buffer pH 7	1
A52003308	Buffer pH4	1
PA07221061	Adaptor PVC 8x5 to 1/2" BSPM	1
A25251004	Tubing Black LDPE 8x5	1
	Duct white 60 x 40 x 600	1
	Sundry mounting bolts & screws	1
SP100-4330-DH	pH electrode	1
1047975	CGE3-mA 10ppm Sensor	1
CAA2690-10	Conductivity sensor 10,000 µS	1



#### diaLog810G pH/ORP/Cl<sub>2</sub>/CO<sub>2</sub> POOL CONTROL SYSTEM

Part No.	Description	
DACBW006VA4000010010EN	DULCOMETER diaLog Controller	1
A250D3402	Backboard 600 x 600 x 12 LDPE white	1
DGMA321T000	Probe holder & flow switch assembly	1
324T0235	Filter	1
A27023280	Adaptor 3/8" pipe to 1/4" BSPF	2
721-101-105	90 deg 3/8" PVC elbow	2
A27023399	Adaptor 3/8" spigot to 1/2" BSPM	1
A27023324	Adaptor 1/4" BSPM to 1/2" BSPM	1
A27023400	Adaptor 1/4" BSPM to 3/8" Spigot	1
1024105	Coax cable	2
A04001289	2 core grey cable	2
PromLabel150	ProMinent label	1
A52003305	Buffer pH 7	1
A52003308	Buffer pH4	1
PA07221061	Adaptor PVC 8x5 to 1/2" BSPM	1
A25251004	Tubing Black LDPE 8x5	1
PA31002458	CO <sub>2</sub> flow regulator assembly	1
	Duct white 60 x 40 x 600	1
	Sundry mounting bolts & screws	1
SP100-4330-DH	pH electrode	1
1003878	RHEP-AO-SE PH Electrode	1
1047975	CGE3-mA 10ppm Sensor	1



## 6.4 Pool Packages diaLog pH/Cl<sub>2</sub>

### GOLD Systems special for Salt Chlorinator

#### diaLog840G pH/Cl<sub>2</sub>/CAA/CO<sub>2</sub> PH POOL CONTROL SYSTEM

Part No.	Description	
DACBW006VA4000010010EN	DULCOMETER diaLog Controller	1
A250D3402	Backboard 600 x 600 x 12 LDPE white	1
DGMA312T000	Probe holder & flow switch assembly	1
324T0235	Filter	1
A27023280	Adaptor 3/8" pipe to 1/4" BSPF	2
721-101-105	90 deg 3/8" PVC elbow	2
A27023399	Adaptor 3/8" spigot to 1/2" BSPM	1
A27023324	Adaptor 1/4" BSPM to 1/2" BSPM	1
A27023400	Adaptor 1/4" BSPM to 3/8" Spigot	1
1024105	Coax cable	1
A04001289	2 core grey cable	3
PromLabel150	ProMinent label	1
A52003305	Buffer pH 7	1
A52003308	Buffer pH4	1
PA07221061	Adaptor PVC 8x5 to 1/2" BSPM	1
A25251004	Tubing Black LDPE 8x5	1
PA31002458	CO <sub>2</sub> flow regulator assembly	1
	Duct white 60 x 40 x 600	1
	Sundry mounting bolts & screws	1
SP100-4330-DH	pH electrode	1
1047975	CGE3-mA 10ppm Sensor	1
CAA2690-10	Conductivity sensor 10,000 μS	1

