

Retro-Fit

Pumps

TECHNICAL SPECIFICATIONS



ISP Process Pumps - ISP150-400 (200-150-400)

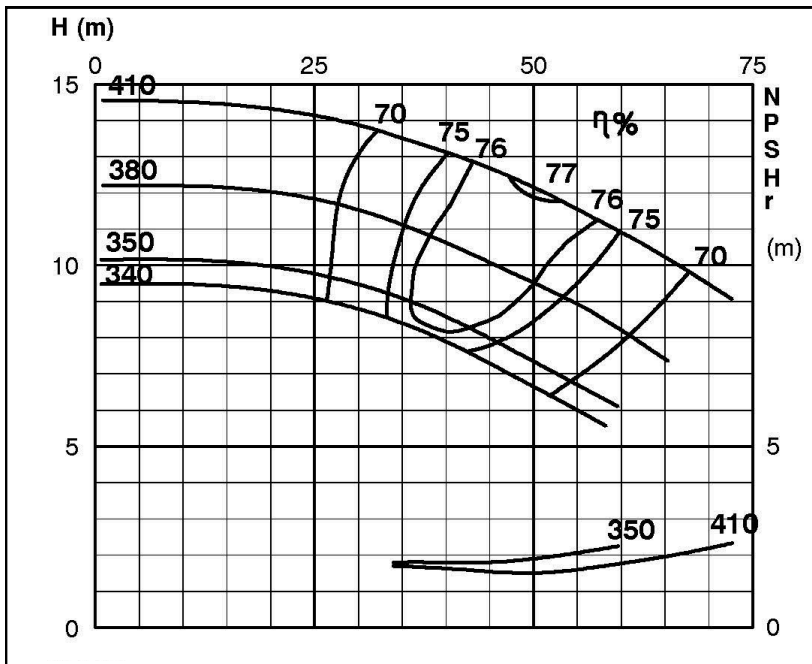
ISP Impeller 283890 OPEN B26 Z5

ISRP: Impeller 285271 OPEN B26 Z5, Please add the power demand of the degassing unit = 0.3 kW

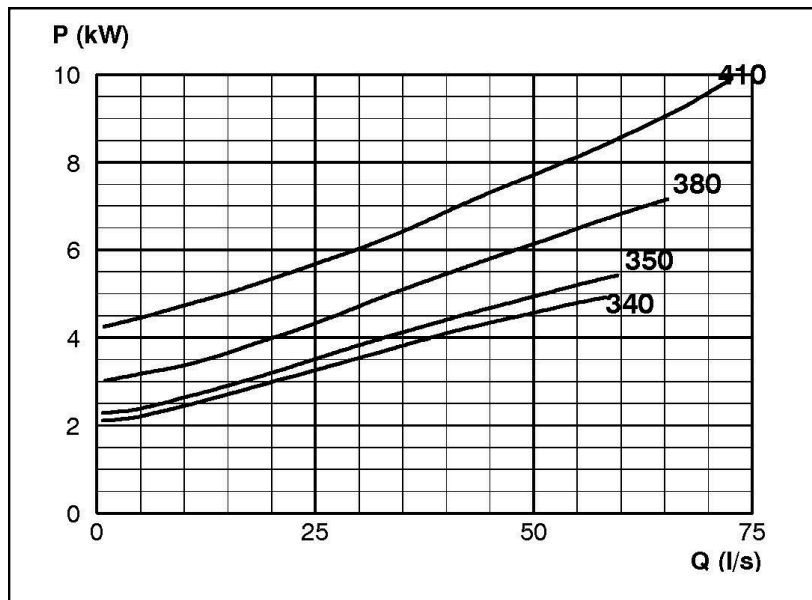
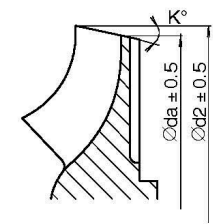
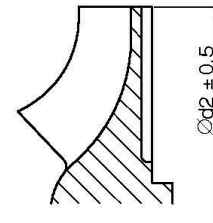
ISSP: Impeller 285271 OPEN B26 Z5, Please add the power demand of the degassing unit = 1.2 kW

Performance Curve - ISP150-400-O-730

730 rpm



IMPELLER DIA		
∅d ₂ (mm)	K°	∅d _a (mm)
410		
405		
400		
395		
390		
385		
380	1	379
375	2	373
370	3	367
365	4	361
360	5	355
355	6	349
350	7	343
345	7	338
340	8	332



RET13923