

## TECHNICAL SPECIFICATIONS



### ISP Process Pumps - ISP400-600 (500-400-600)

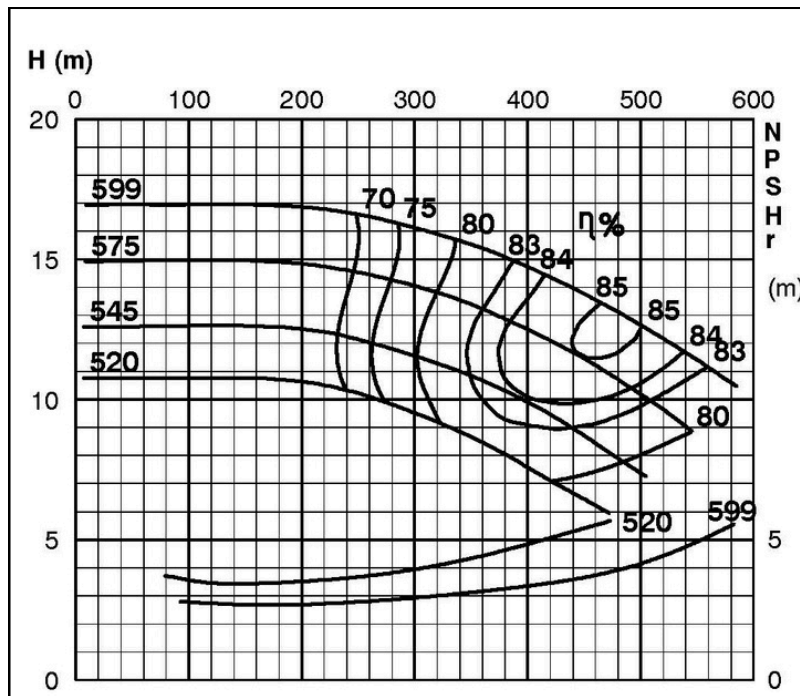
### ISP Impeller 283900 OPEN B93 Z6

ISRP: Impeller 285281 OPEN B93 Z6, please add the power demand of the degassing unit = 0.7 kW

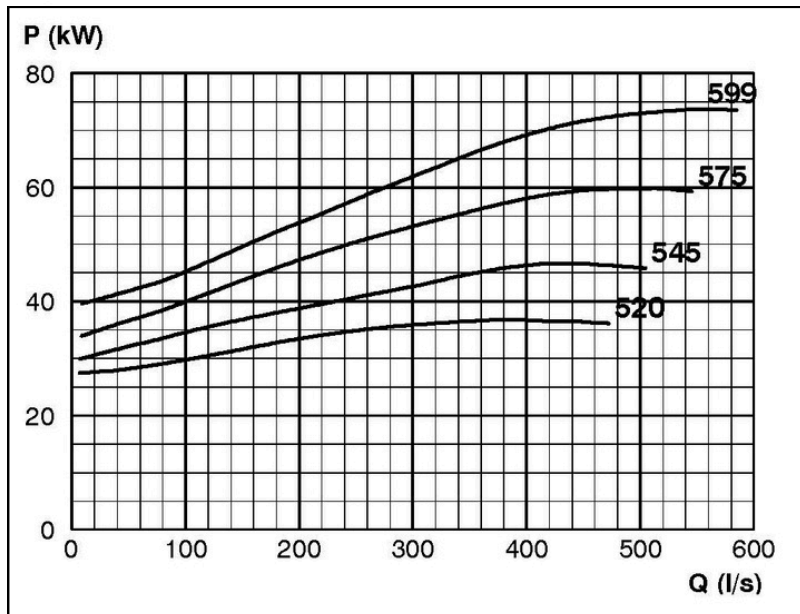
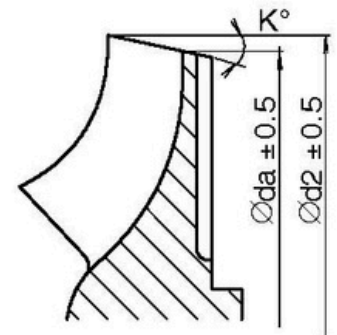
ISSP: Impeller 285281 OPEN B93 Z6, please add the power demand of the degassing unit = 1.8 kW

#### Performance Curve - ISP400-600-O-590

590 rpm



IMPELLER DIA		
∅d <sub>2</sub> (mm)	K°	∅d <sub>a</sub> (mm)
599	7	576.4
595	7	572.2
590	8	563.8
585	8	558.7
580	9	550.3
575	9	545.1
570	10	536.7
565	10	531.3
560	11	522.8
555	11	517.4
550	13	505.2
545	13	500.0
540	14	491.1
535	14	485.6
530	15	476.7
525	16	467.7
520	17	458.6



RET13947