

SDMA SUBMERSIBLE SLURRY PUMP



High effective motor competent to pump highly laden mud water .The impeller and agitator made of high chrome alloy ensure great durability.Semi Vortex impeller design reduces the clogging situation by sand.

Application

Civil engineering, building sites, basements or other utility Pits, rainwater, mud water and high-viscosity fluid.

Specification

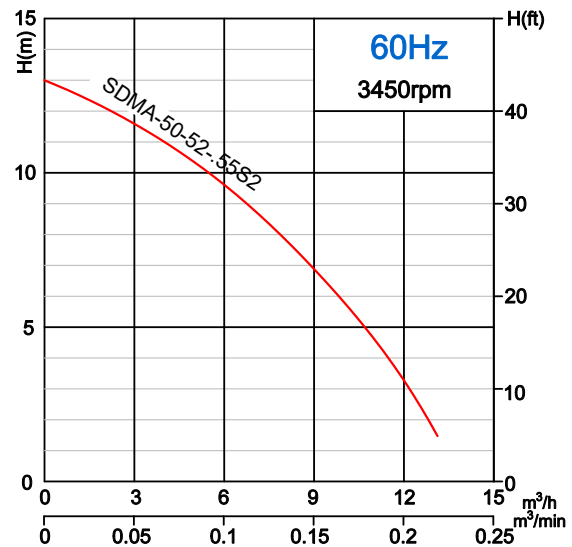
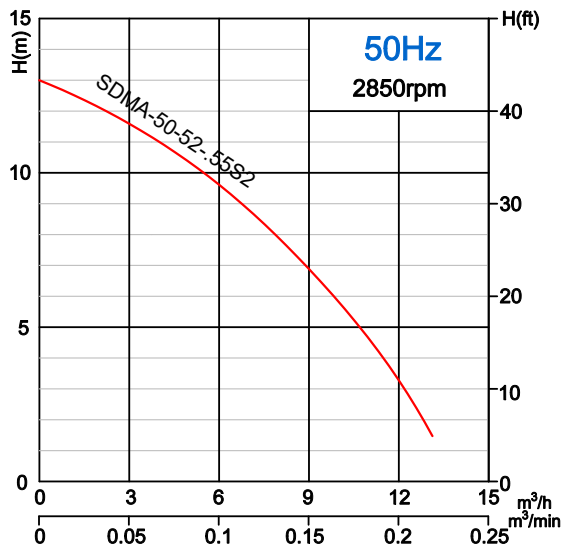
- Water temperature: up to 40°C
- PH: 6.5 to 8.5
- Power supply: single phase 220V ± 10%,50Hz,60Hz
three phase 380V ± 10%,50Hz,60Hz
- Insulation class: F
- Protection class: IP68
- Cable length: 8m
- Max water depth: 10m

Special features on request

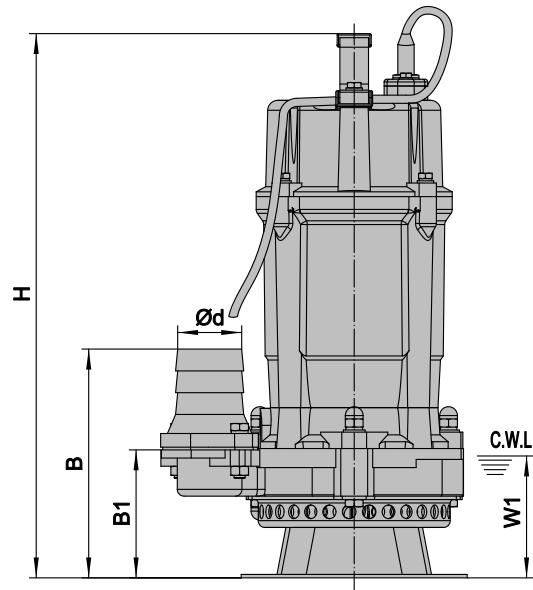
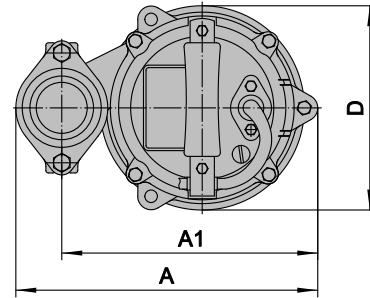
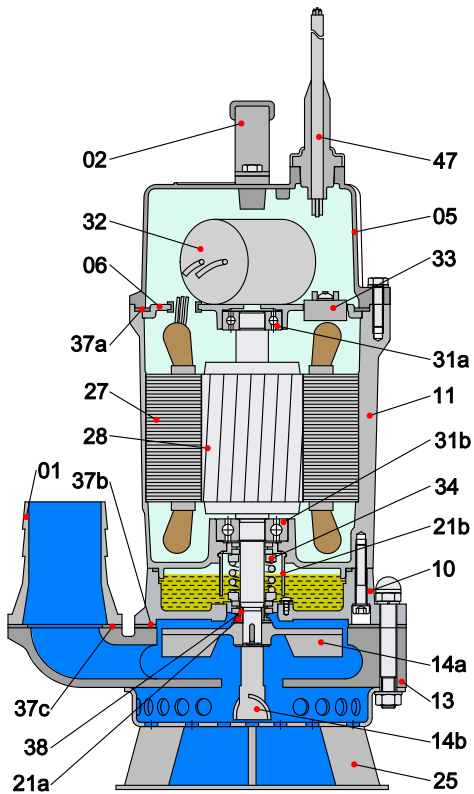
- Other voltages



Performance curves & table



Model (50/60Hz)	Outlet	Motor power		Rated current (A)		Rated capacity		Rated head	Max capacity		Max Head	Impeller Passage
	mm	kW	HP	1~	3~	m³/h	m³/min	m	m³/h	m³/min	m	mm
FD(M)2.55(F)	50	0.55	0.75	4.0	1.7	8	0.13	8	13.2	0.22	13	9



C.W.L:Continuous running water level

Material of construction

Item No.	Part name	Material	Item No.	Part name	Material
01	Hose coupling	Cast iron	27	Stator	
02	Handle	Rubber&steel	28	Rotor	Shaft:AISI420SS
05	Upper cover	Aluminum die casting	31a	Bearing	Ball bearing
06	Up-Bearing house	Cast iron	31b	Bearing	Ball bearing
10	Seal house	Cast iron	32	Capacitor	
11	Motor body	Aluminum die casting	33	Motor protector	
13	Pump body	Cast iron	34	Mechanical seal	Ceramic-Sic/Carbon-Ceramic
14a	Impeller	High chrome alloy	37a	Gasket	NBR
14b	Agitator	High chrome alloy	37b	Gasket	NBR
21a	Oil riser	NBR	37c	Gasket	NBR
21b	Sand guard	LDPE	38	Shaft sleeve	AISI420SS
25	Strainer	Steel	47	Cable	H07RN-F

Dimensions & weights

Model (50/60Hz)	d	A	A1	B	B1	D	H	W1	N.W	G.W	Packing dimension mm
	mm	mm	mm	mm	mm	mm	mm	mm	Kg	Kg	
SDMA-50-52-55S2	50	237	201	168	95	160	405	95	15.5	17	455x255x230
SDMA-50-52-55M2	50	237	201	168	95	160	405	95	14	15.5	455x255x230